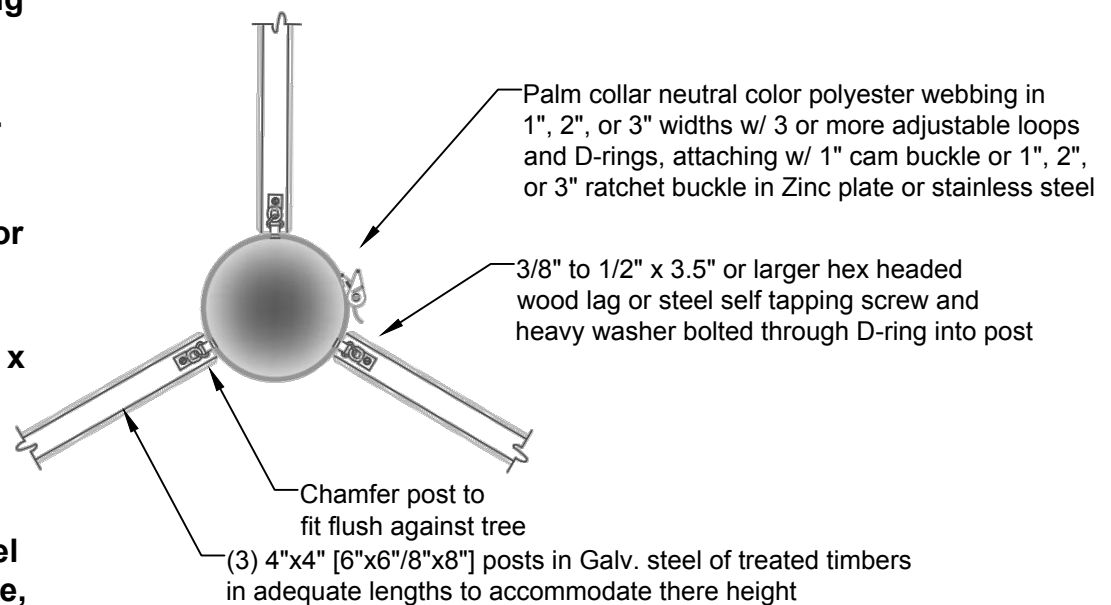


TYPICAL PALM TREE

NOT TO SCALE

NOTES: All Oasis Tree Care Products are superior quality multipart systems which include everything for the secure anchoring of palms and other trees. The systems consist of neutral color high strength polyester webbing in 1", 2", and 3" widths. Attached are 3-4 or more adjustable loops & D-rings in compatible sizes to the webbing with a 1" cam buckle or a 1", 2", or 3" Ratchet buckle. Cabling is 7x19 galvanized aircraft cable from 1/8" to 1/4" or larger, if needed, including a 3/8" x 6" to 1/2" x 12" turnbuckles. Completing the systems are 1/8" to 1/2" cable clamps. All hardware sizes on details can be specified based on the tree size and specific load requirements. As well all steel components are either zinc plate, Malleable, drop forged galvanized or may be specified in Stainless steel if desired.



OASIS LODGE 3 POST ANCHORING SYSTEM

U.S. Patent No. US 6,389,743 B1

DETAIL 14-U.S.